



## Skyjack SJ66 T

### Telescopic Boom

#### STANDARD FEATURES

- Drivable at full height
- Axle based 4WD
- "No Spin" rear differential and limited slip front differential
- Oscillating axle
- Wet disc SAHR brakes (front and rear axle)
- 55.2 kw (74 hp) diesel engine
- Swing out engine tray
- Swing up fiberglass cowlings
- 360o continuous turret rotation
- Direction sensing drive and steer controls
- Proportional controls
- Relay based control system
- Colour coded and numbered wiring system
- 50% gradeability
- Grip lug foamfilled tyres
- Wiring for AC outlet on platform
- Tilt alarm with drive cut-out
- Overload sensing system
- Operator horn
- Modular platform railing system
- Tri-entry sliding mid-rail
- Lanyard attachment points
- Tie down/lifting lugs

## IPAF Category 3b

### Do you hold a valid operator's licence?

The PAL Card (Powered Access Licence) is recognised worldwide as proof of platform operator training to the highest standard.

It is issued by the International Powered Access Federation (IPAF) to platform operators who successfully complete a training course at an IPAF approved training centre.

#### Quick checklist for employers and operators using powered access machines:

- ✓ I have an IPAF PAL card.
- ✓ Date is still valid (Licence expires after 5 years).
- ✓ All categories for the machine's being used are listed on the PAL card (e.g. 3a, 3b, PAV).

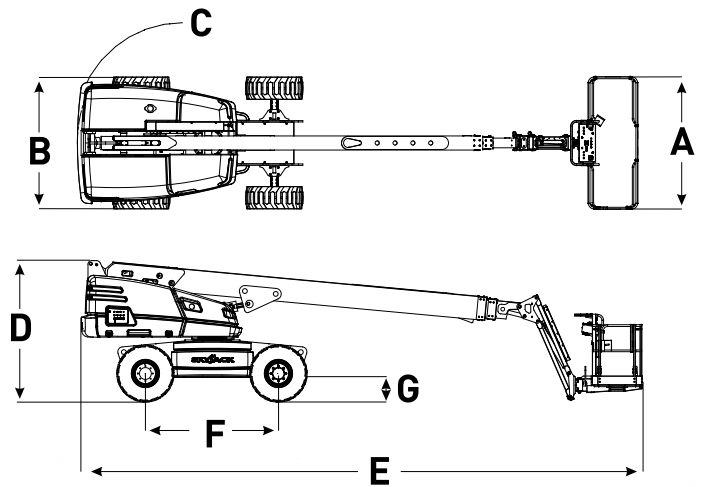
If you can answer yes to all three, you're good to go!

**If not, please call us to discuss your requirements and arrange a training course.**

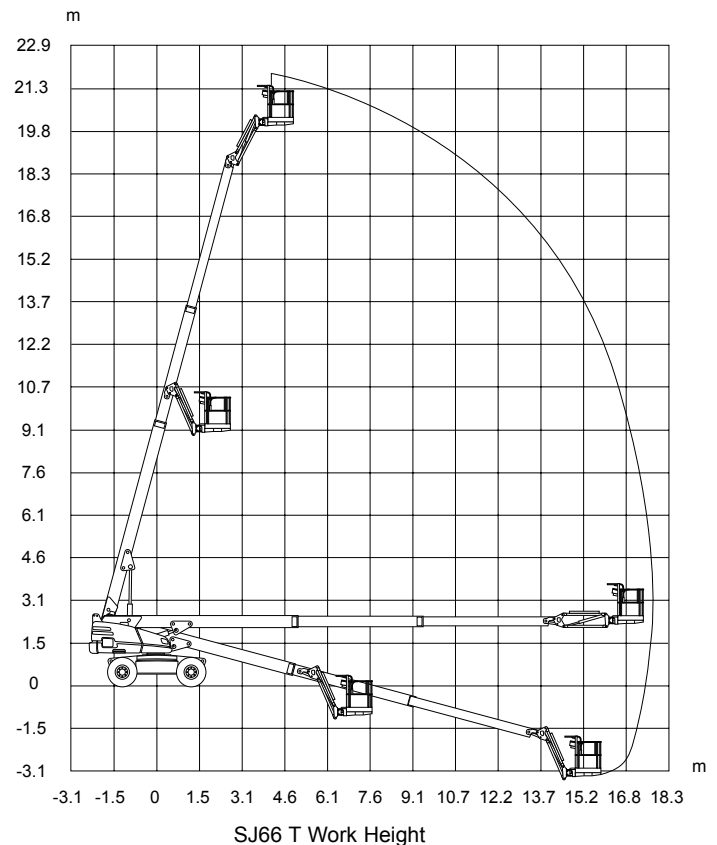


# SJ66 T Telescopic Boom

Dimensions	SJ66 T
Work Height	22.12 m
Platform Height	20.12 m
Horizontal Reach	17.37 m
<b>A</b> Platform Size	0.91 x 1.83 m
<b>B</b> Stowed Width	2.44 m
<b>C</b> Tailswing	1.19 m
<b>D</b> Stowed Height	2.57 m
<b>E</b> Stowed Length	10.34 m
<b>F</b> Wheelbase	2.44 m
<b>G</b> Ground Clearance	0.41 m



Specifications	SJ66 T
Rotation	360°
Platform Rotation	170°
Jib Length	1.52 m
Jib Range +/-	+65° / -60°
Weight	12,800 kg
Gradeability	50%
Turning Radius (Inside)	2.82 m
Turning Radius (Outside)	5.05 m
Axle Oscillation	7.62 cm
Drive Speed (High speed)	7.2 km/h
Capacity	227 kg
Local Floor Load ( With Rated Load)	1140 kPa
Overall Floor Load (With Rated Load)	17.8 kPa
Maximum # of Persons	2
Tyre Type	Grip lug foamfilled
Tyre Size	15 x 19.5
Diesel Engine	55.2 kw (74hp)
Fuel Tank Capacity	170L
Hydraulic Reservoir	227L



**Hire • Sales • Training**

**0844 682 0000**

**www.starplatforms.co.uk**

**info@starplatforms.co.uk**

**UK Coverage**

We offer a true UK wide hire service via a network of strong, regional access companies who share Star Platforms' values, offering high service levels and quality equipment.

**ACCESS ALLIANCE**

